

Project Name: \_\_\_\_\_ AIA#: \_\_\_\_\_

Model #: \_\_\_\_\_ Location: \_\_\_\_\_

SIS#: \_\_\_\_\_ Item #: \_\_\_\_\_ Quantity: \_\_\_\_\_



# 20 Quart Planetary Bench Mixer

*The Perfect Mix of Value,  
Performance & Durability*

*Features front mounted touch pad control  
panel with 60-minute digital timer!*



## Model

SPC20

## Standard Features

- Powerful 1/2 HP custom built motor
- Gear-driven, high-torque transmission
- Heat-treated hardened steel alloy gears & shafts
- Three fixed speeds
- Permanently lubricated transmission
- Thermal overload protection
- Front-mounted touch pad controls with 60-minute digital timer and last-batch recall
- Removable stainless steel, interlocking bowl guard with built-in fully welded ingredient chute
- Interlocked bowl lift
- Rigid cast iron body
- Industry standard #12 attachment hub
- NSF approved enamel gray paint
- 6-foot cord and ground plug

## Standard Accessories/Attachments

- 20-qt. stainless steel bowl (#304 series)
- Aluminum flat beater
- Stainless steel wire whip
- Aluminum spiral dough hook
- Non-slip rubber feet

## Warranty

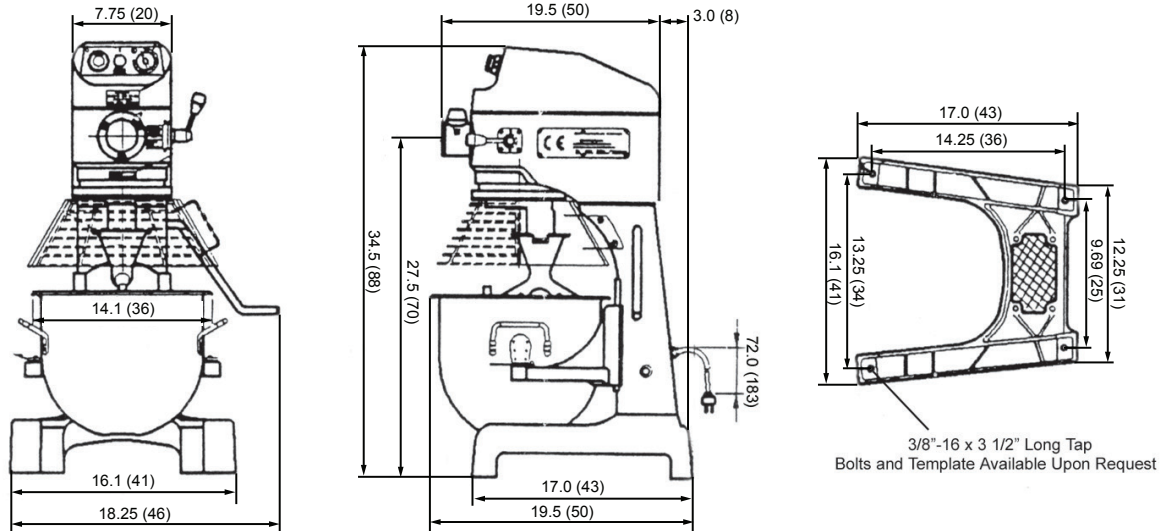
- *Two years parts and labor*

## Optional Accessories/Attachments

- Seismic flange kit
- Polycarbonate splash shield insert
- Slicer/shredder/grater for #12 hub
- Meat grinder for #12 hub
- Meat tenderizer for #12 hub
- Strip cutter for #12 hub
- Stainless steel flat beater
- Stainless steel spiral dough hook
- 10-qt. adapter kit
- 12-qt. adapter kit
- Mixer table with undershelf

*To select options, see complete list on back*

Approved by: \_\_\_\_\_ Date: \_\_\_\_\_



UNIT: INCHES (CM)

Drawings available through KCL at [www.kclcad.com](http://www.kclcad.com).

## SPECIFICATIONS

Model	Motor	Volts	Amps	Transmission Type	Capacity	Controls	Agitator Speeds (RPMs)			Attachment Speeds (RPMs)		
							1st	2nd	3rd	1st	2nd	3rd
SPC20	1/2 HP	115/60/1	6	Gear	20 qt 19 liter	Front-mounted digital controls & timer	104	194	353	59	110	201

**Cord & Plug:** Attached 6-foot flexible 3-wire cord with molded plug fits a grounded receptacle. NEMA 5-15P

## DIMENSIONS | SHIPPING INFORMATION

Carton reinforced for shipping. The weight and dimensions of this reinforced carton are included below and may vary from shipment to shipment.

**This product ships on a pallet. Freight class 85.**

Model	Base Foot Print	Overall Dimensions	Net Wt	Shipping Dimensions	Shipping Wt
SPC20	16" W x 17" D (41 cm x 43 cm)	18.25" W x 19.5" D x 34.5" H (46 cm x 50 cm x 88 cm)	199 lbs. (80 kg)	32" W x 40" D x 48" H (81 cm x 102 cm x 122 cm)	270 lbs. (122 kg)

Mixer is constructed of a rigid cast iron body with front-mounted controls and a digital 60-minute timer with last-batch recall. Mixer has a 1/2 HP custom built motor with overload protection and gear-driven, high torque permanently lubricated transmission consisting of heat-treated hardened steel alloy gears and shafts. Mixer comes with 20 qt. stainless steel bowl, aluminum flat beater, stainless steel wire whip, aluminum dough hook and non-slip rubber feet. Interlocked, removable stainless steel bowl guard with fully welded on ingredient chute. Mixer has #12 attachment hub and interlocked bowl lift. Mixer is NSF and ETL listed. Two-year parts labor warranty.

## OPTIONAL MIXER ACCESSORIES AND HUB ATTACHMENTS

### MIXER:

- XXSEISMIC KIT-SM** Seismic kit
- XXBGSHIELD-20** Bowl guard shield
- XXBOWL-20** 20 qt. stainless steel (S/S) bowl
- XXBEAT-20** Alum. flat beater
- XXBEAT-20SS** S/S flat beater
- XXHOOK-20** Alum. dough hook
- XXHOOK-20SS** S/S dough hook
- XXJHOOK-20** Alum. J dough hook
- XXWHIP-20** S/S wire whip
- XXHDWHIP20-4** Heavy-duty 2.8 mm S/S wire whip
- XXAWHIP-20** S/S Aileron (wing) whip
- XXSCRIP-20** scraper with mounting kit
- XXACC10-20** Adapter kit - 10 qt bowl, hook, beater and whip

- XXACC12-20** Adapter kit - 12 qt bowl, hook, beater and whip
- XXPASTRY-20** Alum. pastry knife
- XTable** S/S countertop mixer table with under shelf (30" W x 24" D x 24" H)

### HUB:

- XVSGH** 9" Slicer/Shredder/Grater housing only (no plates included-must select from plates listed on this sheet)
- XASP** Adjustable slicing plate (for vegetables only)
- XPH** Plate holder -only 1 required
- L00670** Meat Tenderizer attachment
- L00783** Strip Cutter attachment

### Shredding Plates:

- XSP332\*** 3/32" (2.3 mm)

- XSP316\*** 3/16" (4.7 mm)
- XSP14\*** 1/4" (6.3 mm)
- XSP516\*** 5/16" (7.9 mm)
- XSP12\*** 1/2" (12.7 mm)
- XGP\*** Grating plate
- XMCA-SS** Meat grinder assembly (Polished stainless steel cylinder, worm gear, ring, and s/s pan. Includes knife, 3/16" plate, and pusher.)
- XXCK** Chopper knife for XMCA-SS

### Chopper Plate Sizes Available:

- CP02-12** 1/16" (2 mm)
- CP04-12** 5/32" (4 mm)
- CP05-12** 3/16" (5 mm)
- CP06-12** 1/4" (6 mm)

- CP08-12** 5/16" (8 mm)
- CP10-12** 3/8" (10 mm)
- CP12-12** 1/2" (12 mm)
- CP14-12** 9/16" (14 mm)
- CP16-12** 5/8" (16 mm)
- CP18-12** 11/16" (18 mm)
- CP00-12** Stuffing plate
- XST12** 1/2" Stuffing tube (mutton)
- XST34** 3/4" Stuffing tube (pork)

- FACTORY INSTALLED OPTION:**
- XXCORR-20** Correctional package, includes tamper resistant external fasteners.